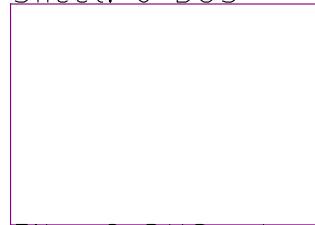


Sheet: 0 BUS



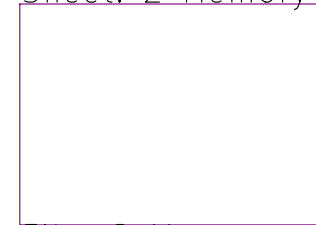
File: 0 BUS.sch

Sheet: 1 CPU



File: 1 CPU.sch

Sheet: 2 Memory



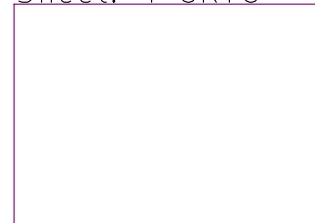
File: 2 Memory.sch

Sheet: 3 Latch Serial



File: 3 Latch.sch

Sheet: 4 CRTC



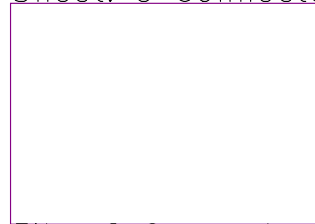
File: 4 CRTC.sch

Sheet: 5 Power



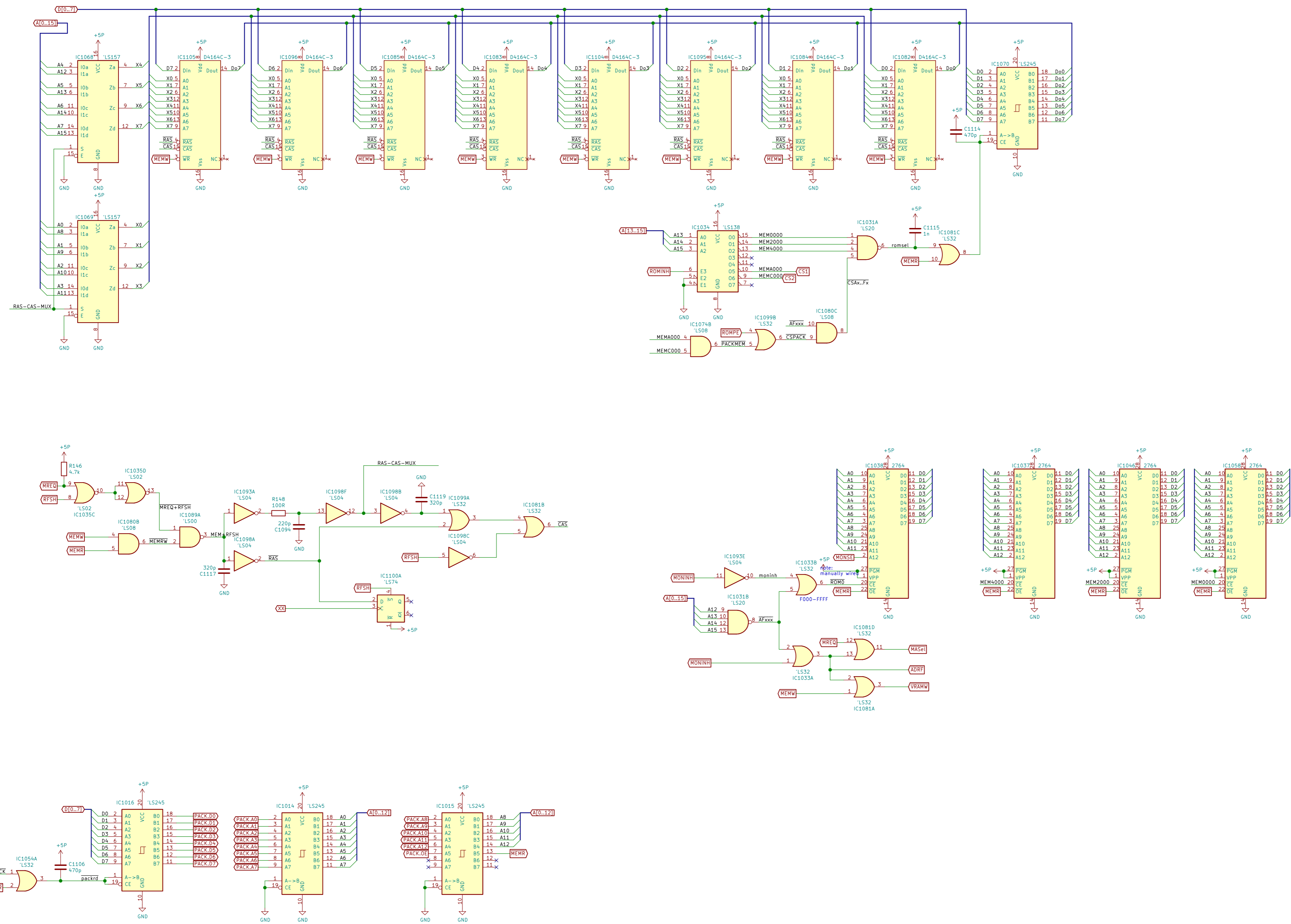
File: 5 Power.sch

Sheet: 6 Connector

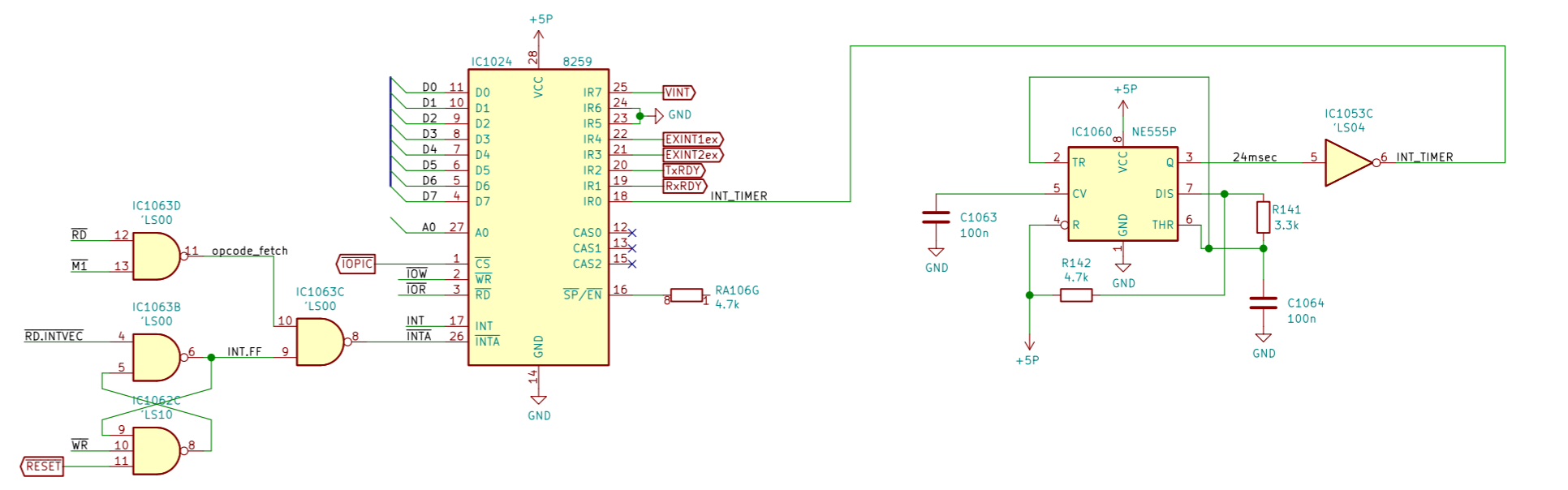
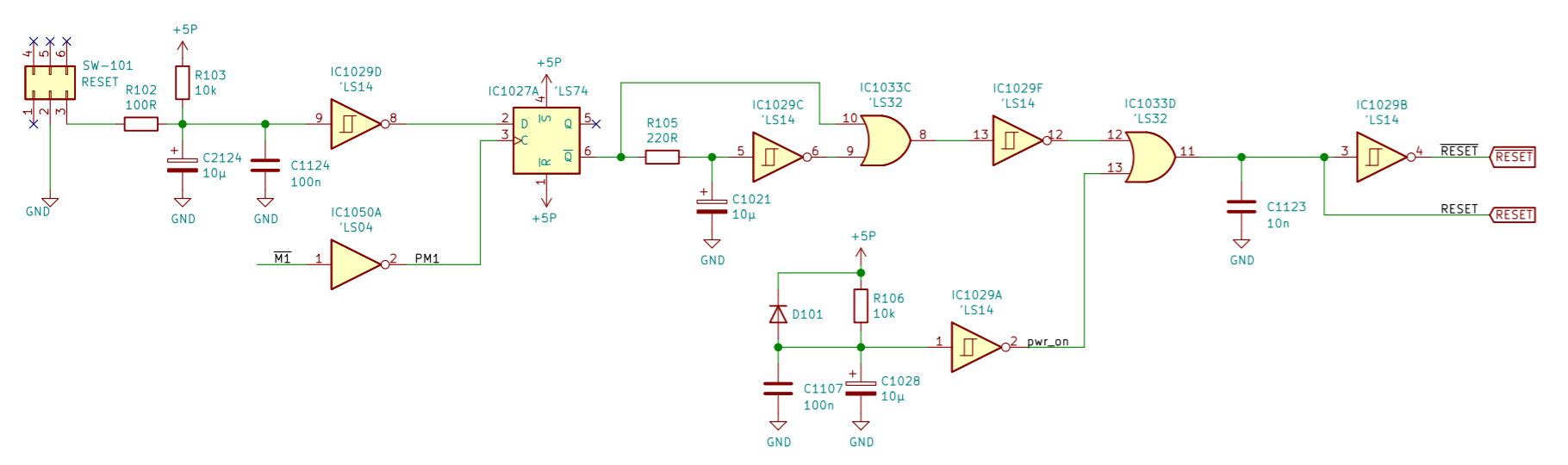
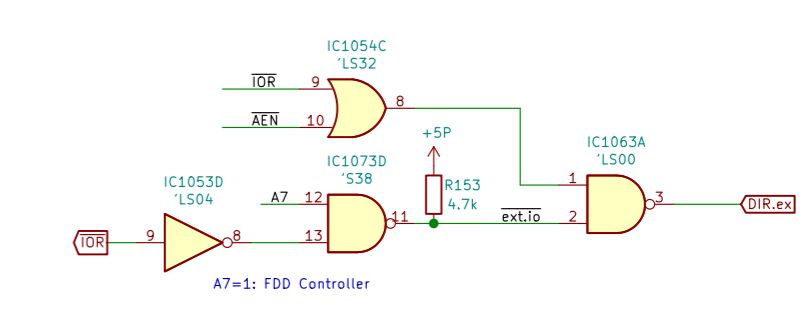
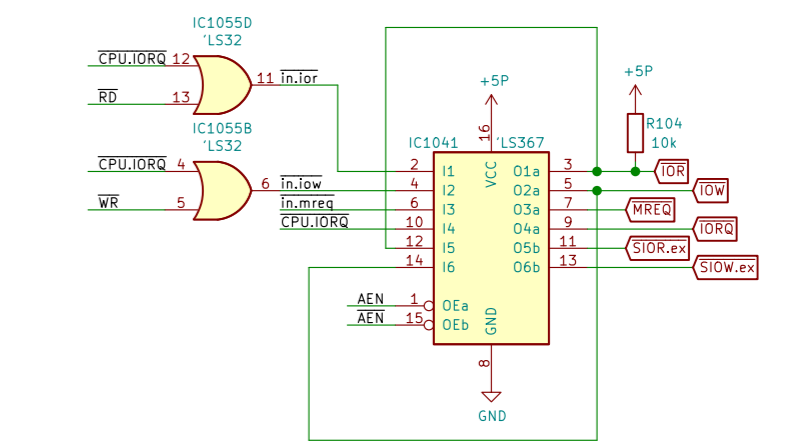
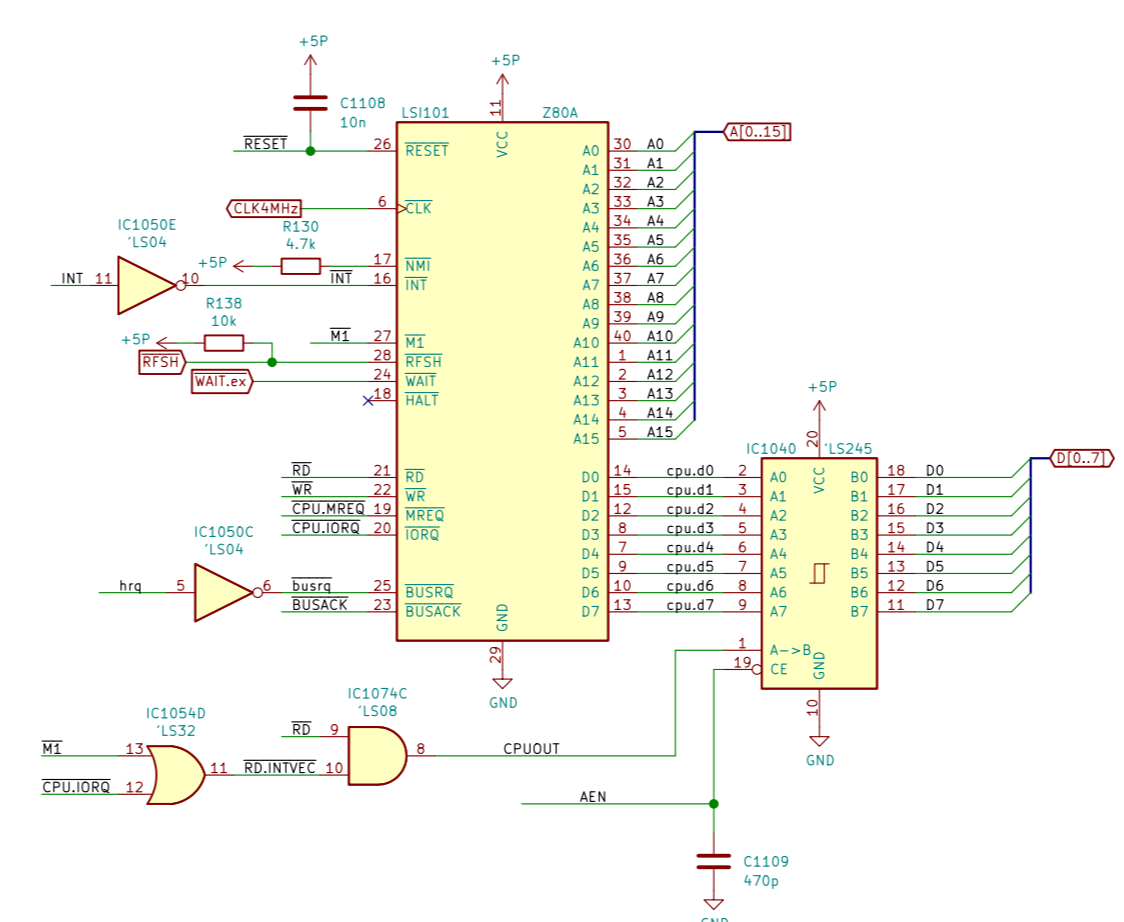
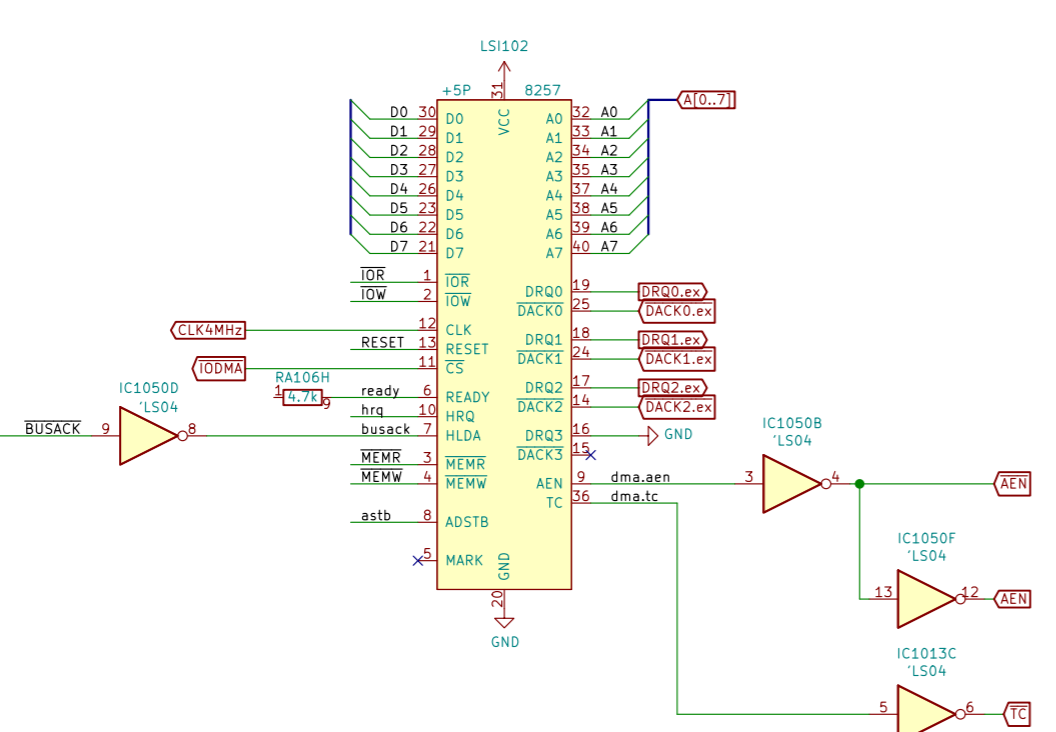
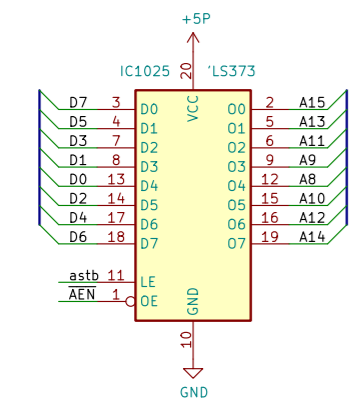
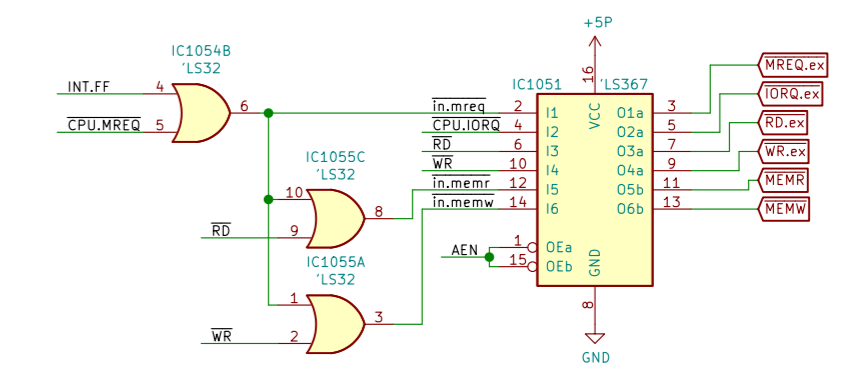
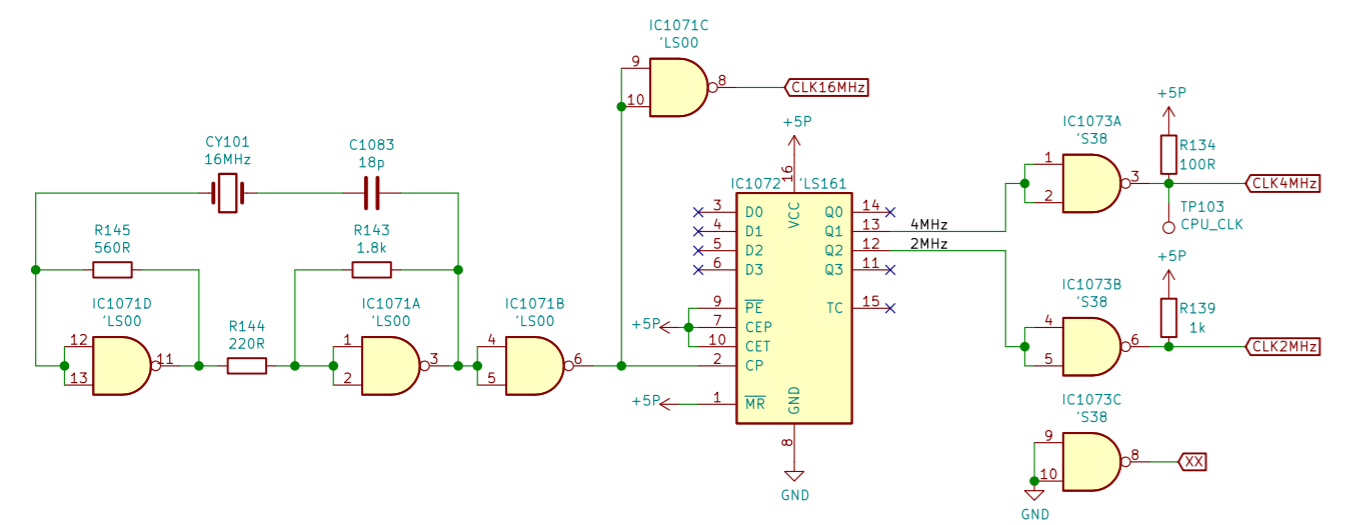


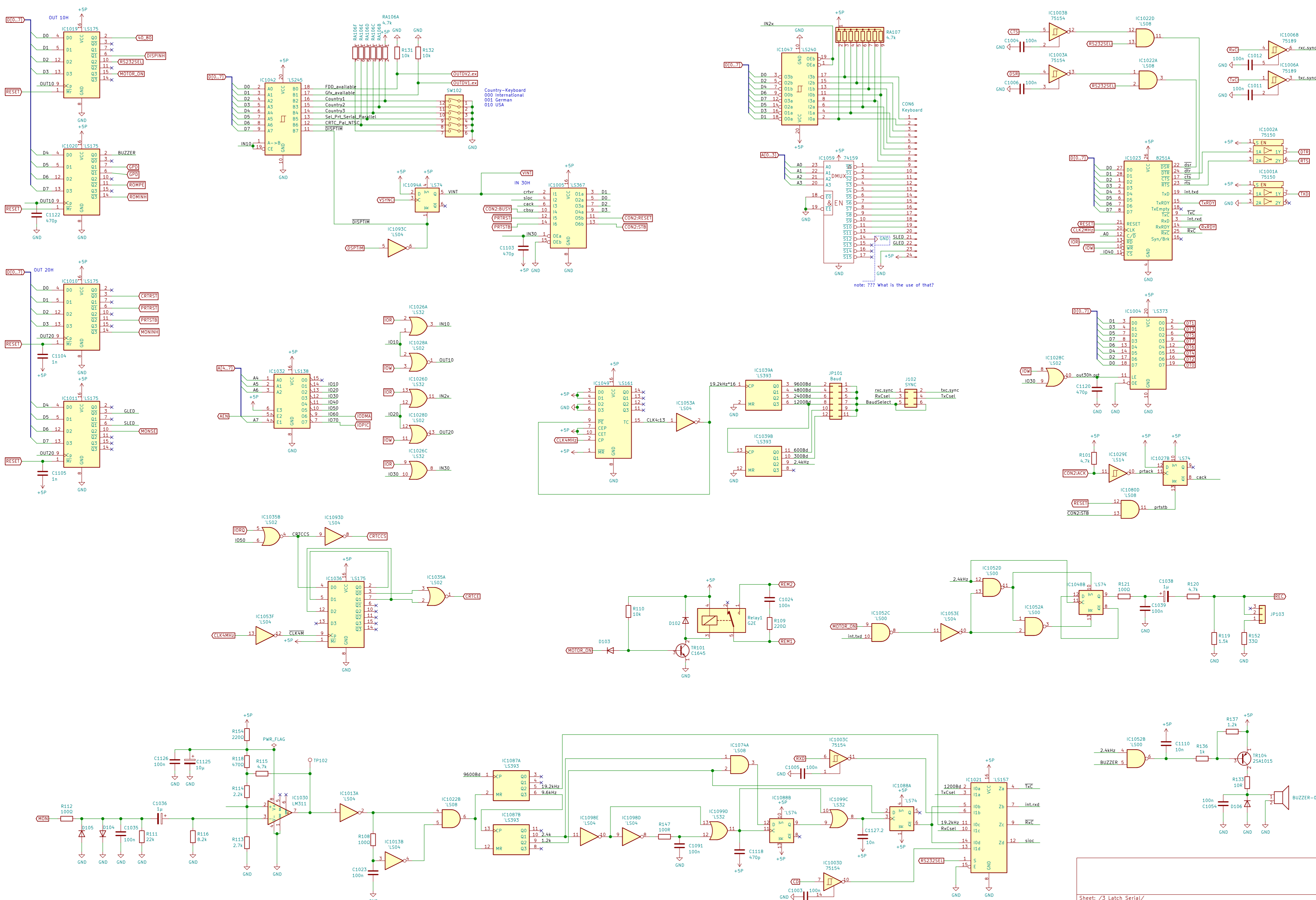
File: 6 Connector.sch

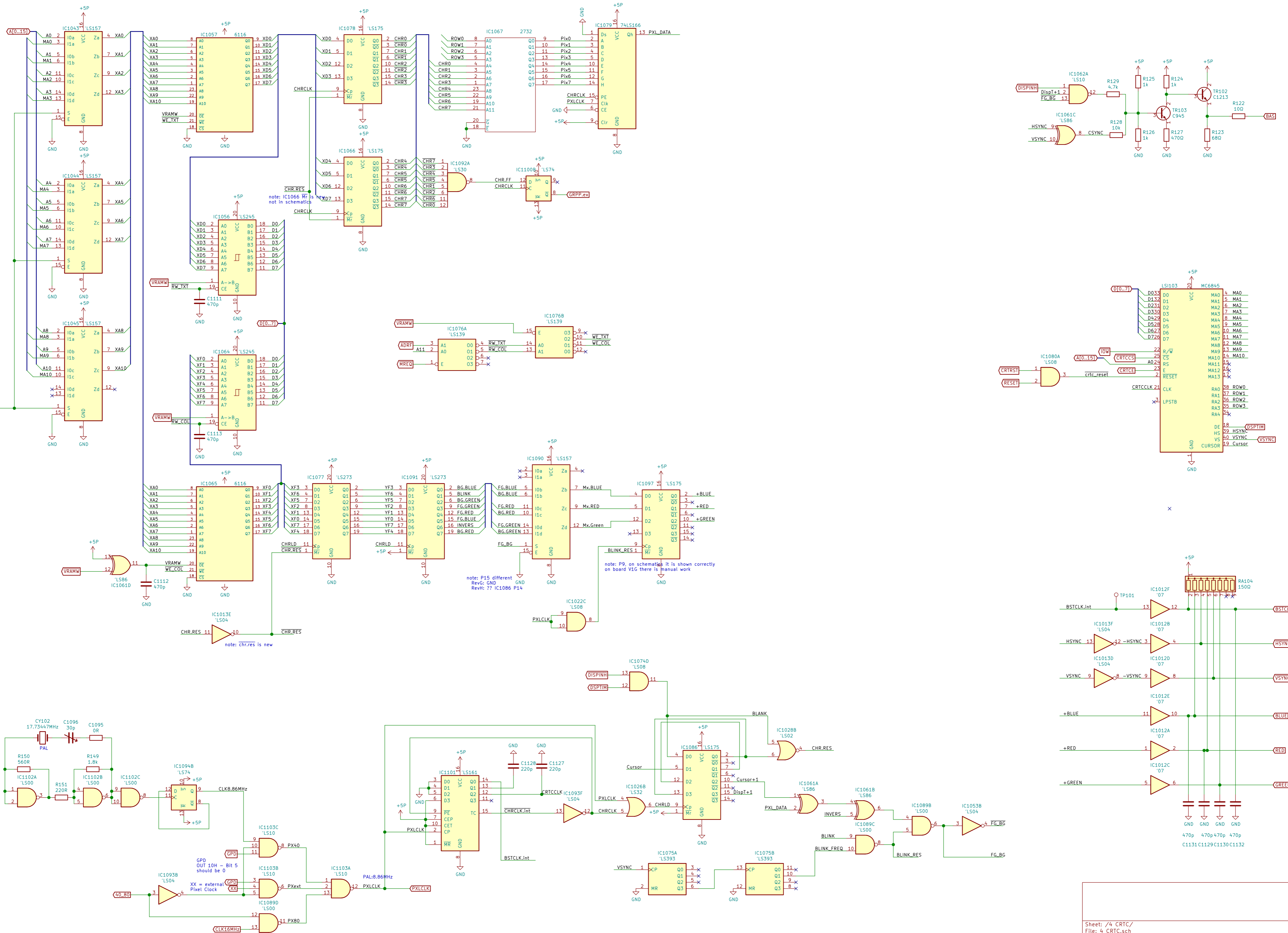
Sheet: /	
File: TA Alpatronic PC8.sch	
<b>Title: Alpatronic PC8 Rev G</b>	
Size: A4	Date:
KiCad E.D.A. kicad (5.1.10-1-10_14)	Rev: Id: 1/8

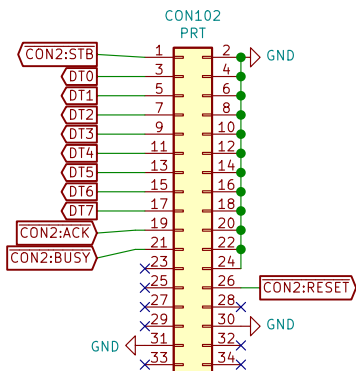
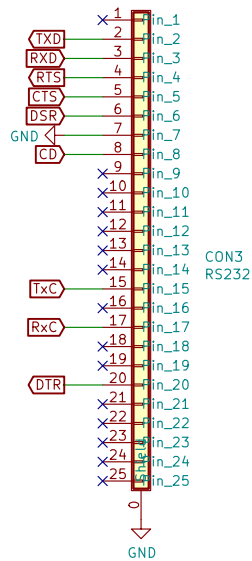
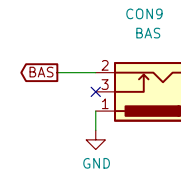
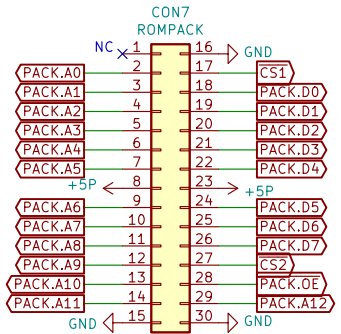
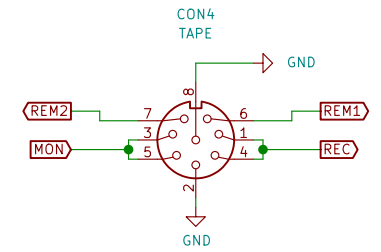
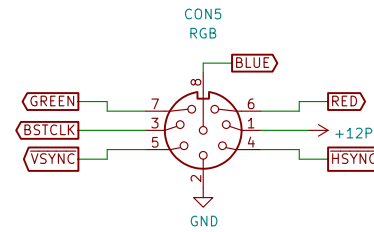
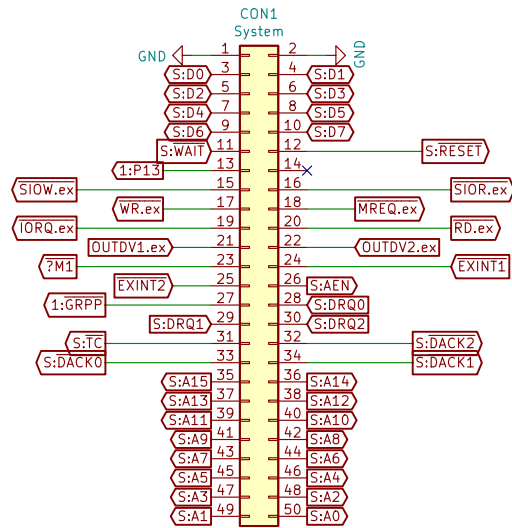
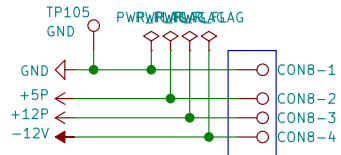












Sheet: /6 Connector/  
File: 6 Connector.sch

**Title: 6 Connectors**

Size: A4 Date: KiCad E.D.A. kicad (5.1.10-1-10\_14)

Rev: Id: 7/8

